



Arama & Benet

Air Engineering Solutions

info@arama-benet.com

www.arama-benet.com

PRODUCT NAME:
TDF-A-R3 Series Single Inlet
Backward Curved Centrifugal Fan

PRODUCT TYPE:
TDFA 630-R3-2.2kW-6

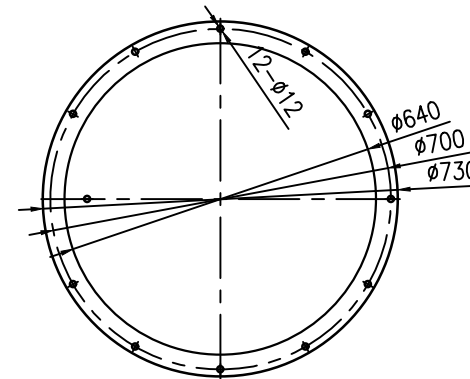
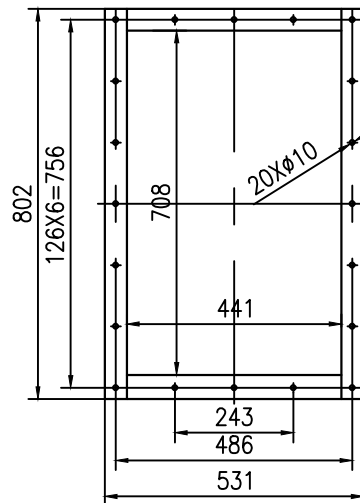
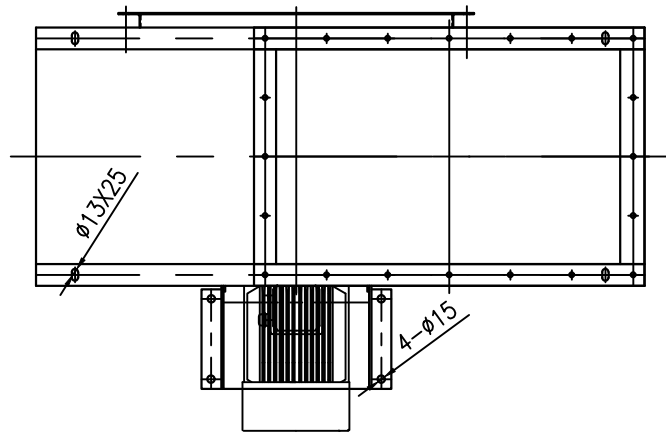
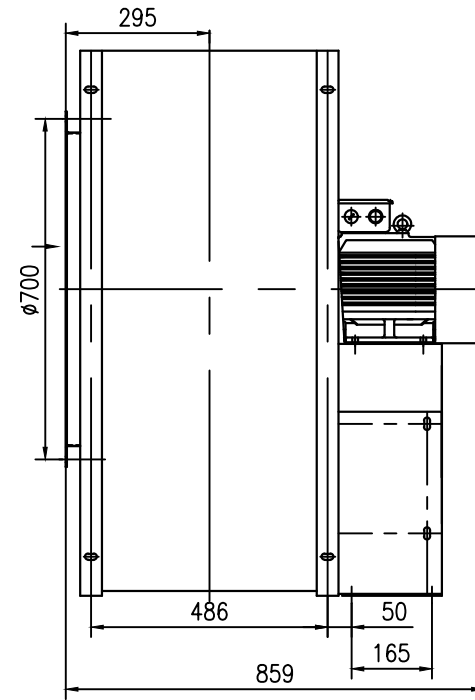
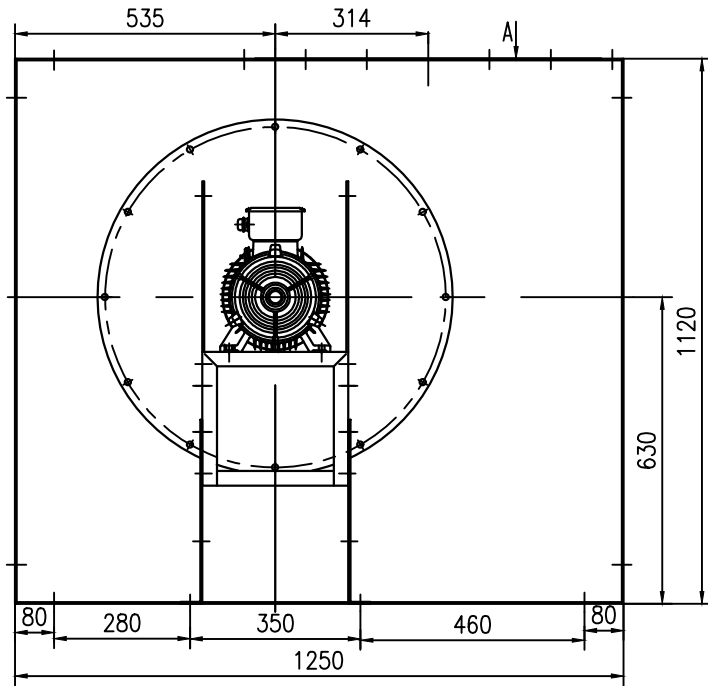
Weight include motor:
212 kg

Finish: Painted
Color: RAL 7024

Arama & Benet

www.arama-benet.com

REV 02 04-2024



Arama and Benet reserves the right to make changes at any time and without prior notice.

**Total Pressure
(Pa)**

Air Density: 1.2 kg/m³

