



Arama & Benet

Air Engineering Solutions

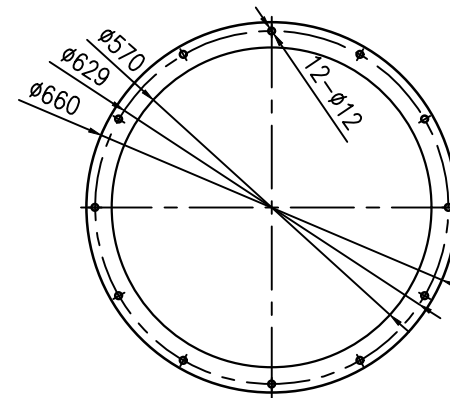
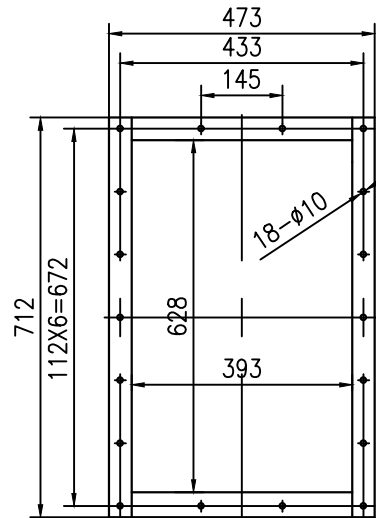
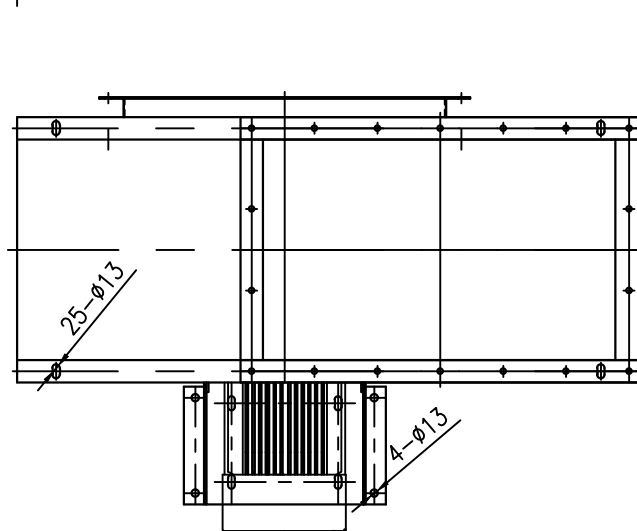
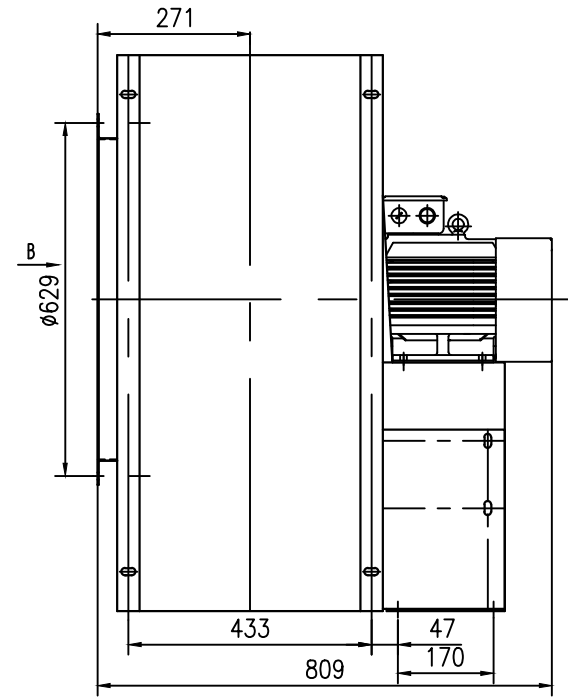
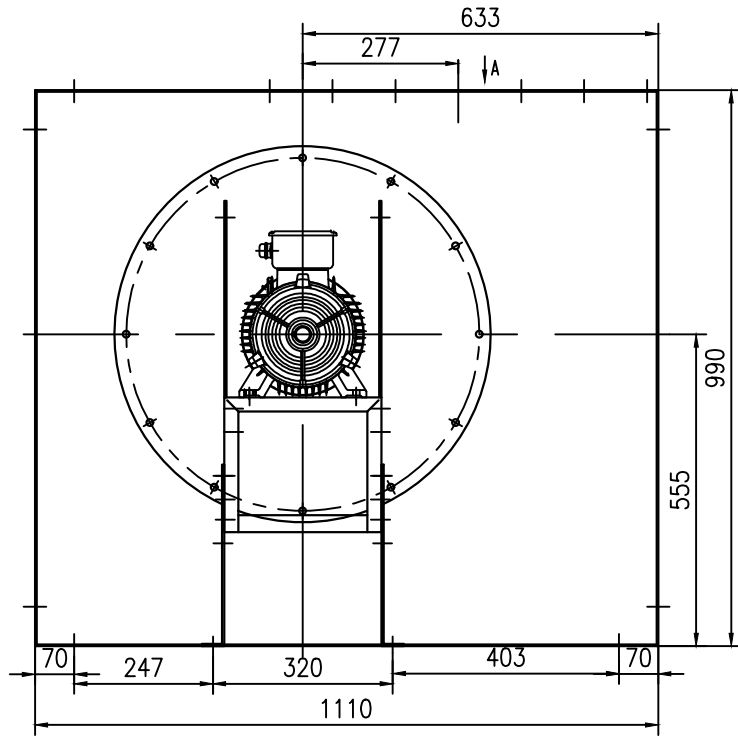
info@arama-benet.com
www.arama-benet.com

PRODUCT NAME:
TDF-A-R3 Series Single Inlet
Backward Curved Centrifugal Fan

PRODUCT TYPE:
TDFA 560-R3-4.0kW-4

Weight include motor:
176 kg

Finish: Painted
Color: RAL 7024



**Total Pressure
(Pa)**

Air Density: 1.2 kg/m³

