

TDF-A-R3 Series Single Inlet Backward Curved Centrifugal Fan



Arama & Benet

Air Engineering Solutions

info@arama-benet.com

www.arama-benet.com

PRODUCT NAME:
TDF-A-R3 Series Single Inlet
Backward Curved Centrifugal Fan

PRODUCT TYPE:
TDFA 500-R3-18.5kW-2

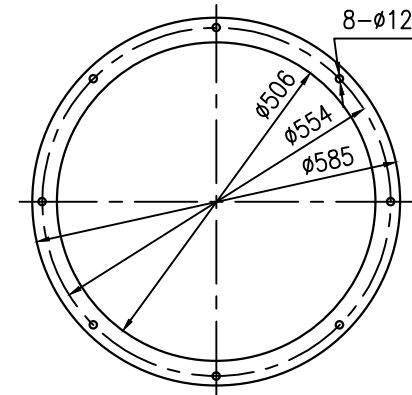
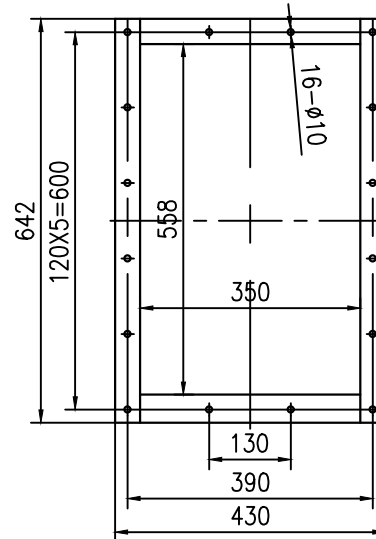
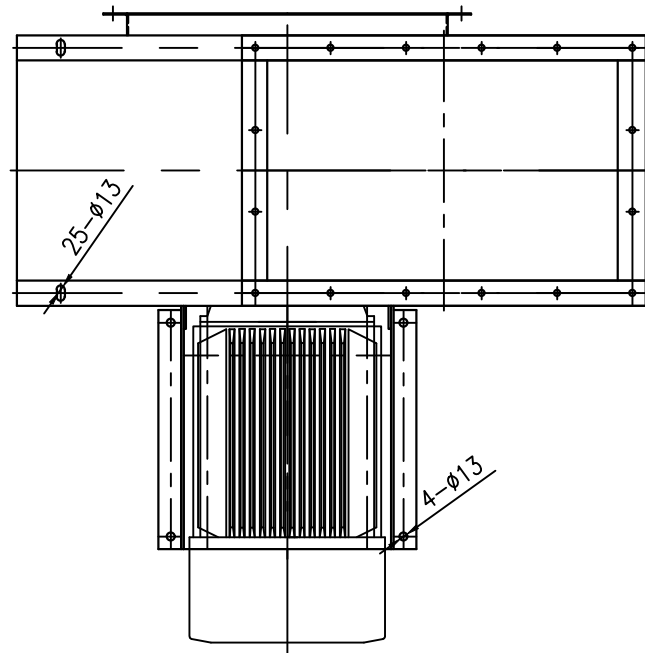
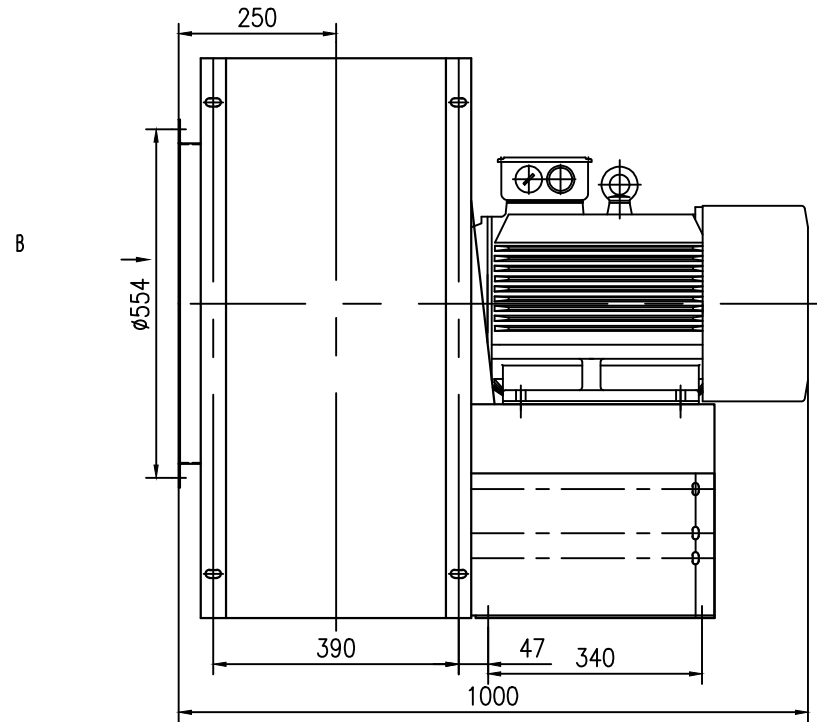
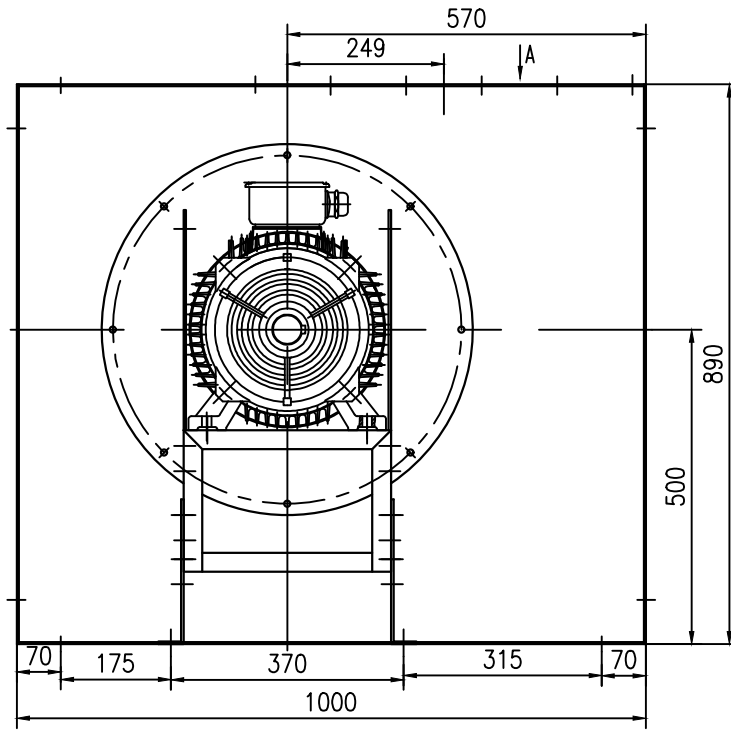
Weight include motor:
310 kg

Finish: Painted
Color: RAL 7024

Arama & Benet

www.arama-benet.com

REV 02 04.2024



Arama and Benet reserves the right to make changes at any time and without prior notice.

**Total Pressure
(Pa)**

Air Density: 1.2 kg/m³

