

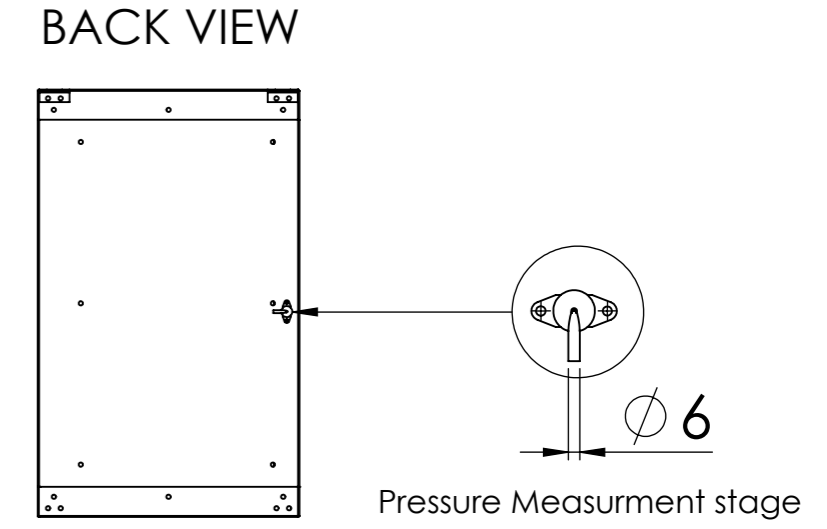
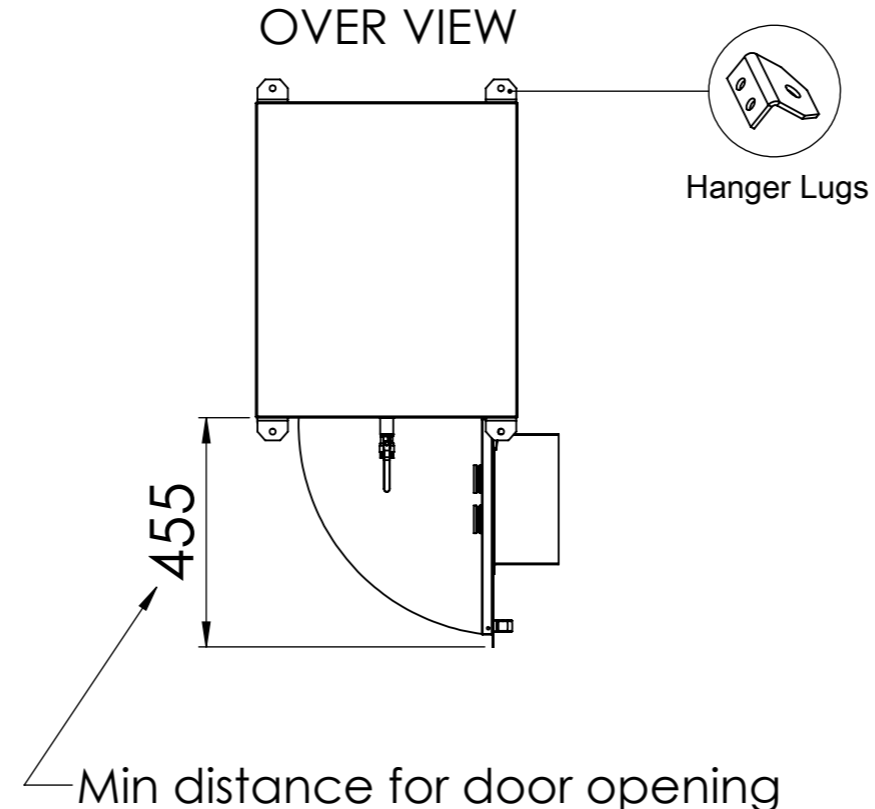
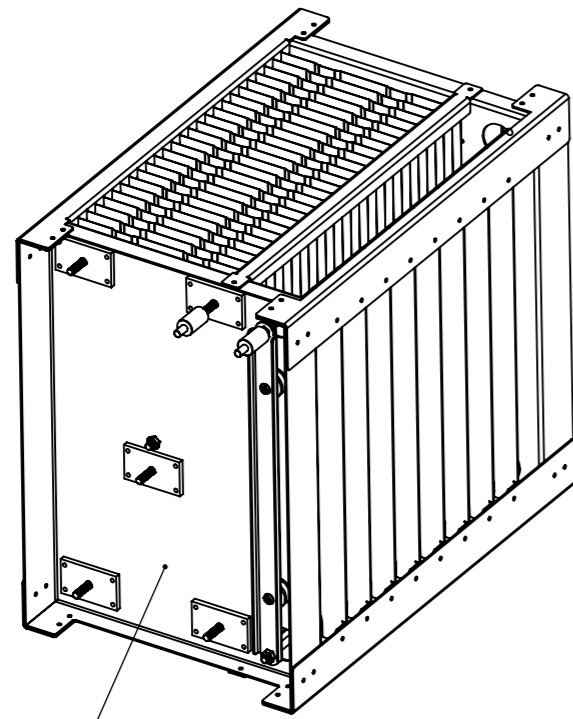
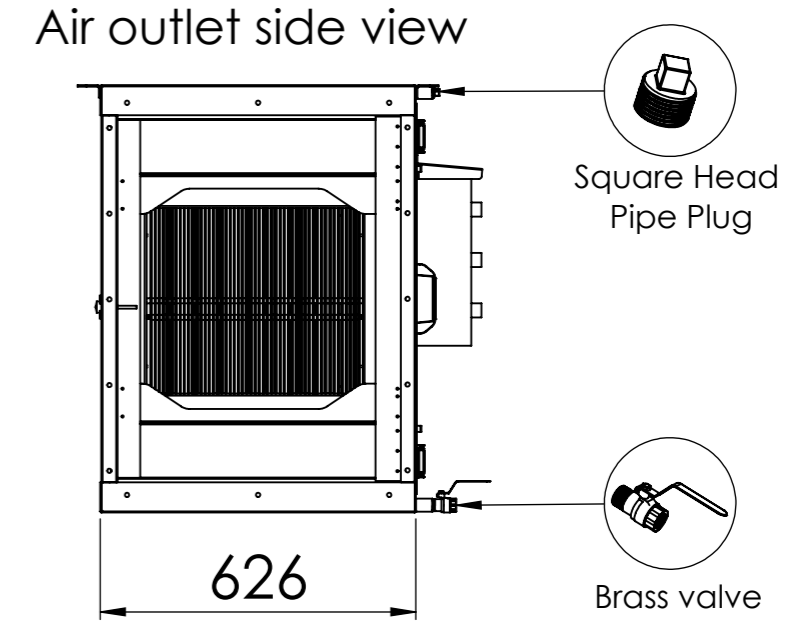
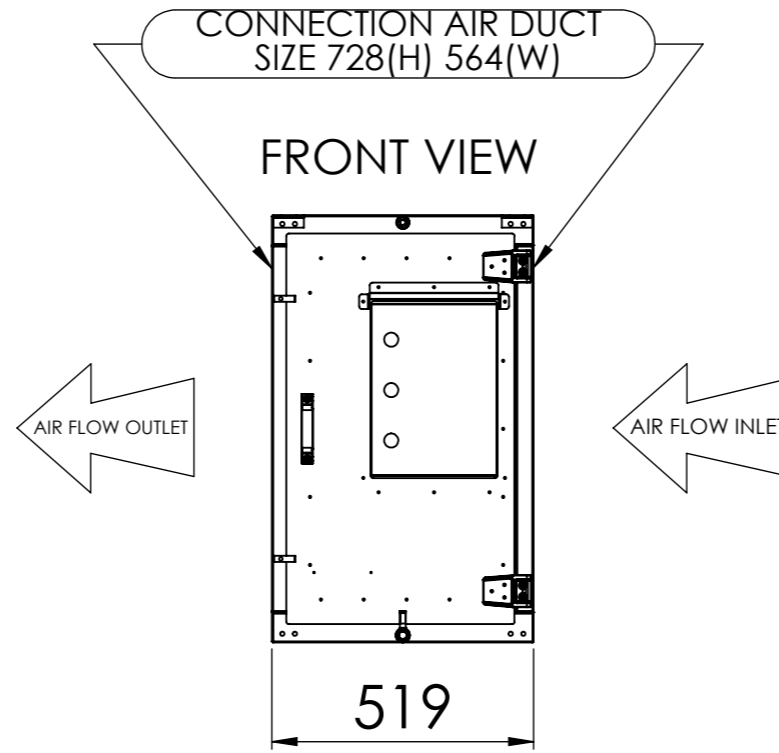
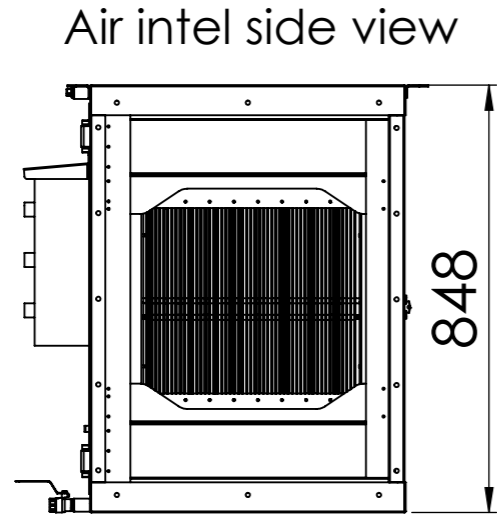
1. Electrostatic precipitator collection cell
2. Removable grease tray
3. EP Power supply
4. Brass valve

ITEM No.	Filter Type	Grade	Filter size	Rated Face Velocity (At FULL capacity)	Filter Flow capacity	New Condition Resistance (Pa)	Final Condition (Pa)	Filter QTY	WEIGHT [kg]
1	Electrostatic collection cell	N/A	550x480x340	4.85 m/S	1823 CFM 3100 m ³ /h	85 Pa	105 Pa	1	13
Initial Pressure: 85 Pa		Recommended final Pressure: 105 Pa			Total weight: 57 [kg]				

Project NAME:		Product Type: ABEP-3000-S		Project Number:	
	NAME	DATE	UNLESS OTHERWISE SPECIFIED: DIMENSIONS ARE IN MILLIMETERS GENERAL TOLERANCES: X ±.5 X.X ±0.2 X.XX ±0.05 ANGULAR: ±1°	Product Name: Electrostatic Precipitator Filter	
DRAFT	Andrey S	26/09/2023		Description: ABEP-SERIES	
DESIGNER	Andrey S	26/09/2023			
APPROVED	Luke Benet	26/09/2023			
CHECKED	Luke Benet	26/09/2023			
MATERIAL: Galvanized steel		WEIGHT: 44 [kg]	FINISH: RAL-7024		
TYPE: A3	SCALE: 1:5	REVISION 04	SHEET 1 OF 2		



Electrostatic Precipitator Filter



ITEM No.	Filter Type	Grade	Filter size	Rated Face Velocity (At FULL capacity)	Filter Flow capacity	New Condition Resistance (Pa)	Final Condition (Pa)	Filter QTY	WEIGHT [kg]
1	Electrostatic collection cell	N/A	550x480x340	4.85 m/S	1823 CFM 3100 m³/h	85 Pa	105 Pa	1	13
Initial Pressure: 85 Pa		Recommended final Pressure: 105 Pa			Total weight: 57 [kg]				

Project NAME:		Product Type: ABEP-3000-S		Project Number:	
DRAFT	NAME: Andrey S	DATE: 26/09/2023	UNLESS OTHERWISE SPECIFIED: DIMENSIONS ARE IN MILLIMETERS GENERAL TOLERANCES: X ±.5 X.X ±0.2 X.XX ±0.05 ANGULAR: ±1°	Product Name: Electrostatic Precipitator Filter	
DESIGNER	Andrey S	26/09/2023		Description: ABEP-SERIES	
APPROVED	Luke Benet	26/09/2023			
CHECKED	Luke Benet	26/09/2023			
MATERIAL:	Galvanized steel	WEIGHT: 44 [kg]	FINISH: RAL-7024		
TYPE: A3	SCALE: 1:15	REVISION 04	SHEET 2 OF 2		

