

# KTF-II Series Centrifugal Fan



## Arama & Benet

Air Engineering Solutions

info@arama-benet.com

www.arama-benet.com

PRODUCT NAME:  
KTF-II Series Centrifugal Fan

PRODUCT TYPE:  
KTF900C-II-22.0kW-6-90°R

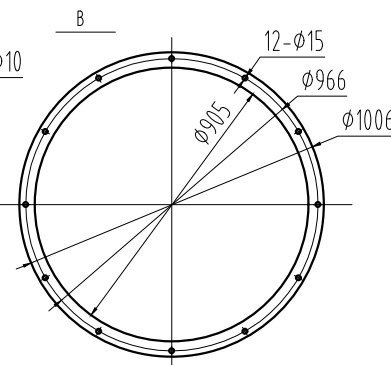
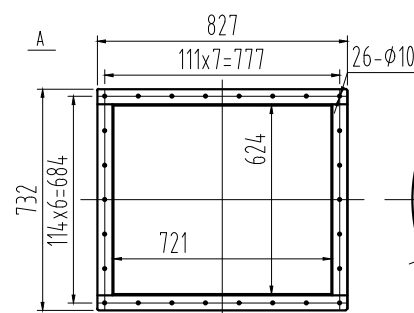
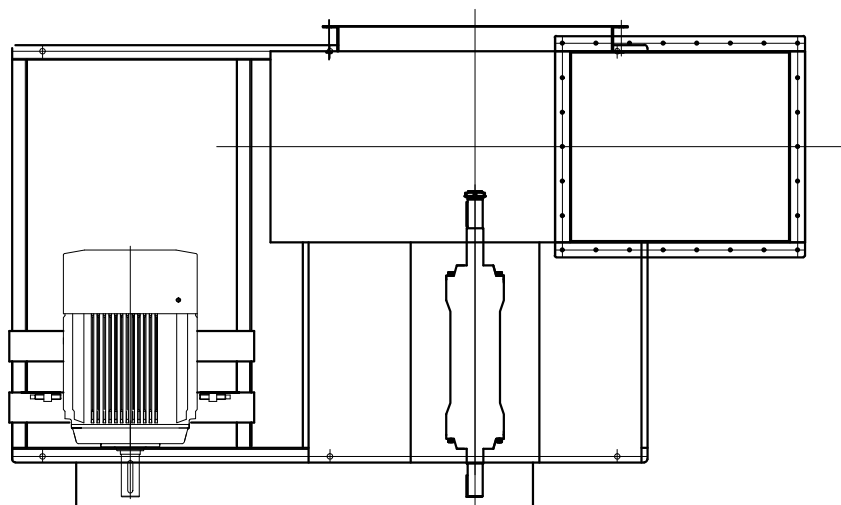
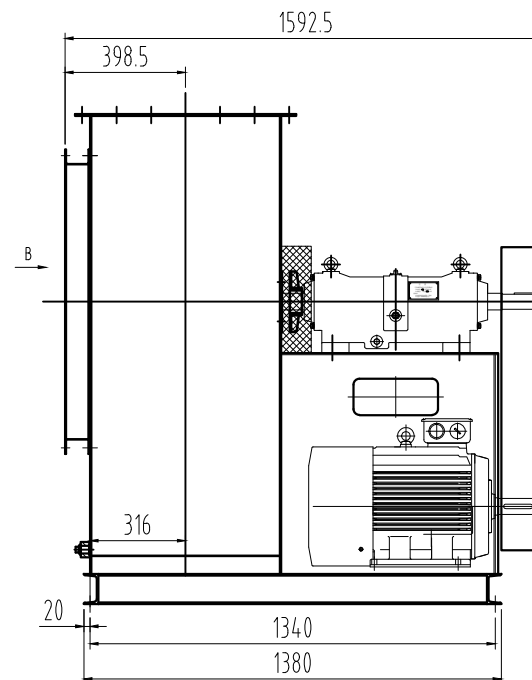
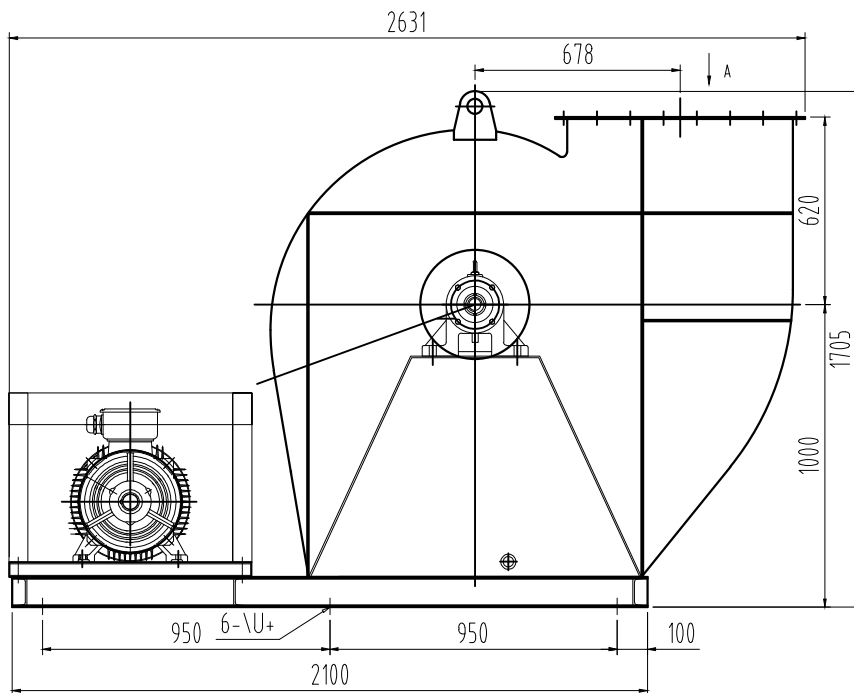
Weight include motor:  
605 kg

Finish: Painted  
Color: RAL 7024

Arama & Benet

www.arama-benet.com

REV.02 06.2024



Arama and Benet reserves the right to make changes at any time and without prior notice.