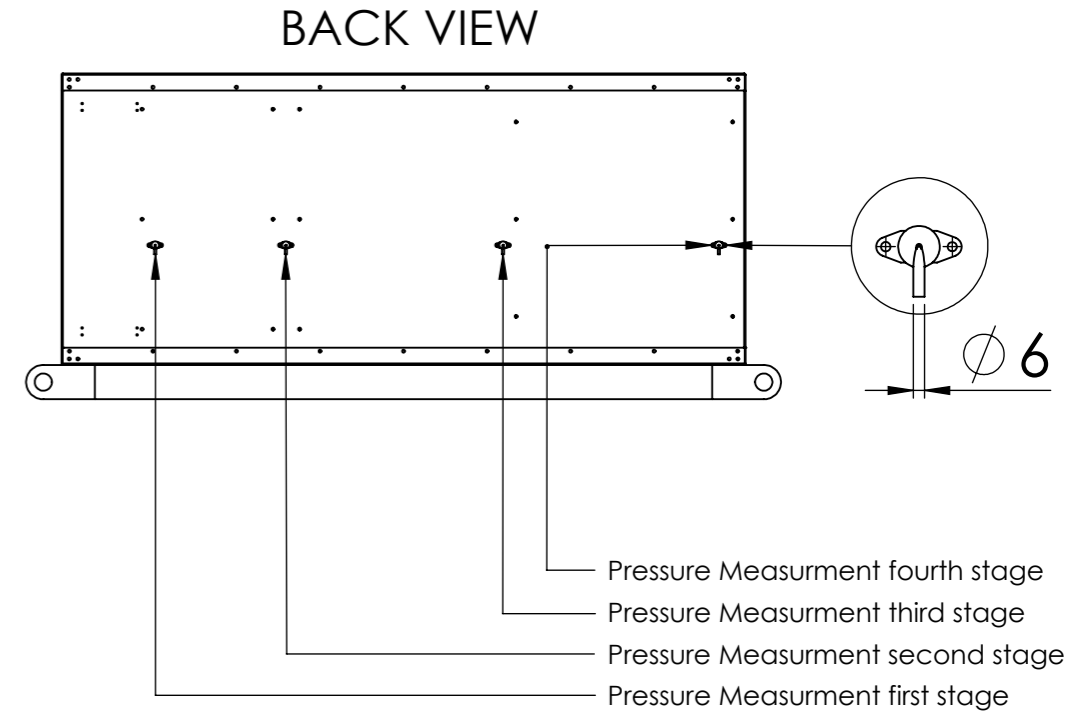
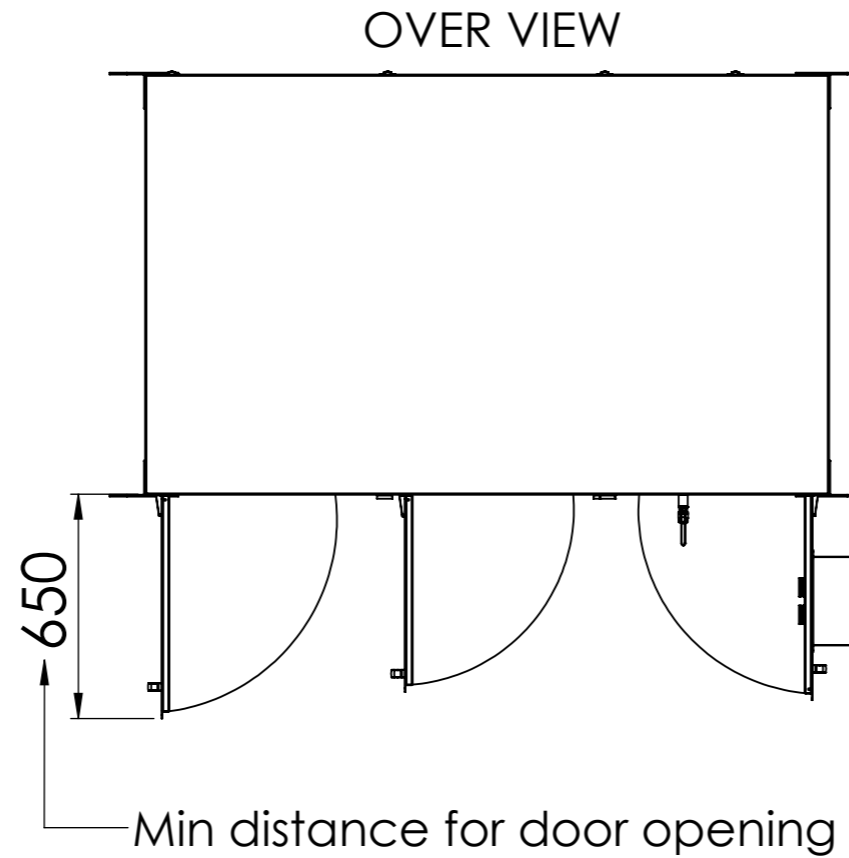
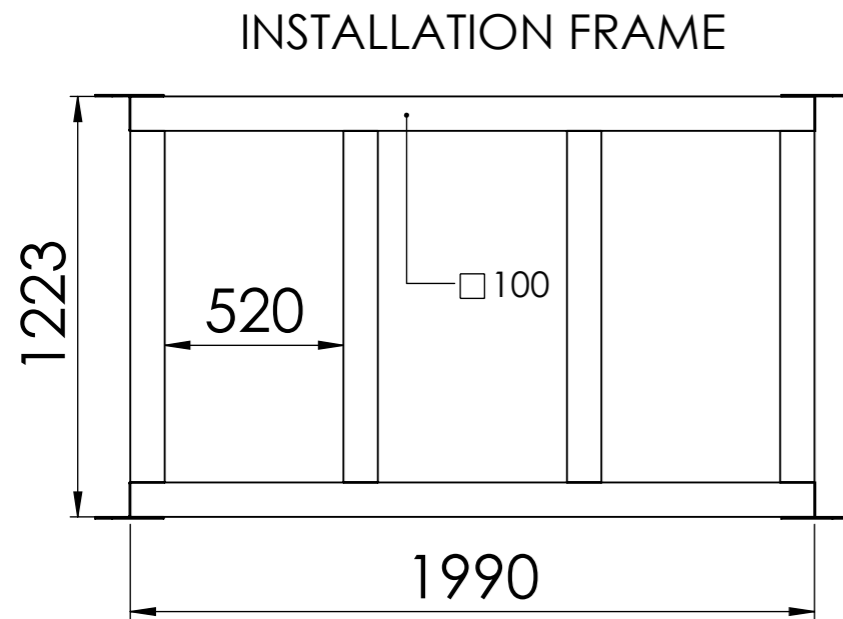
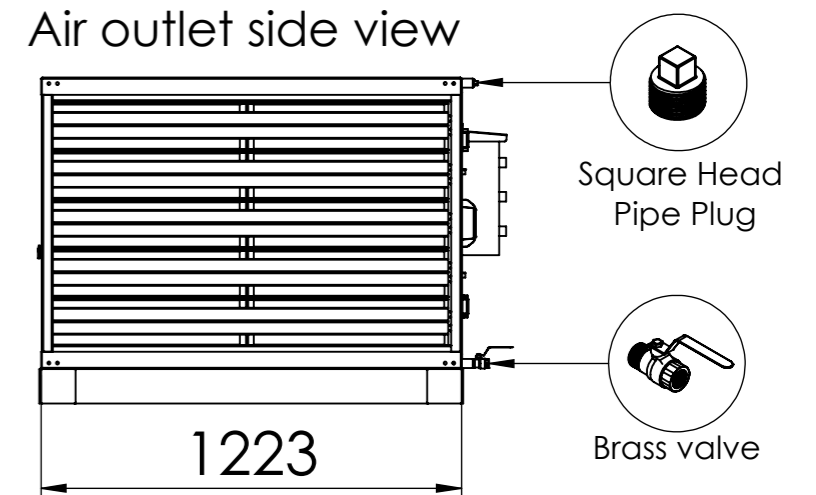
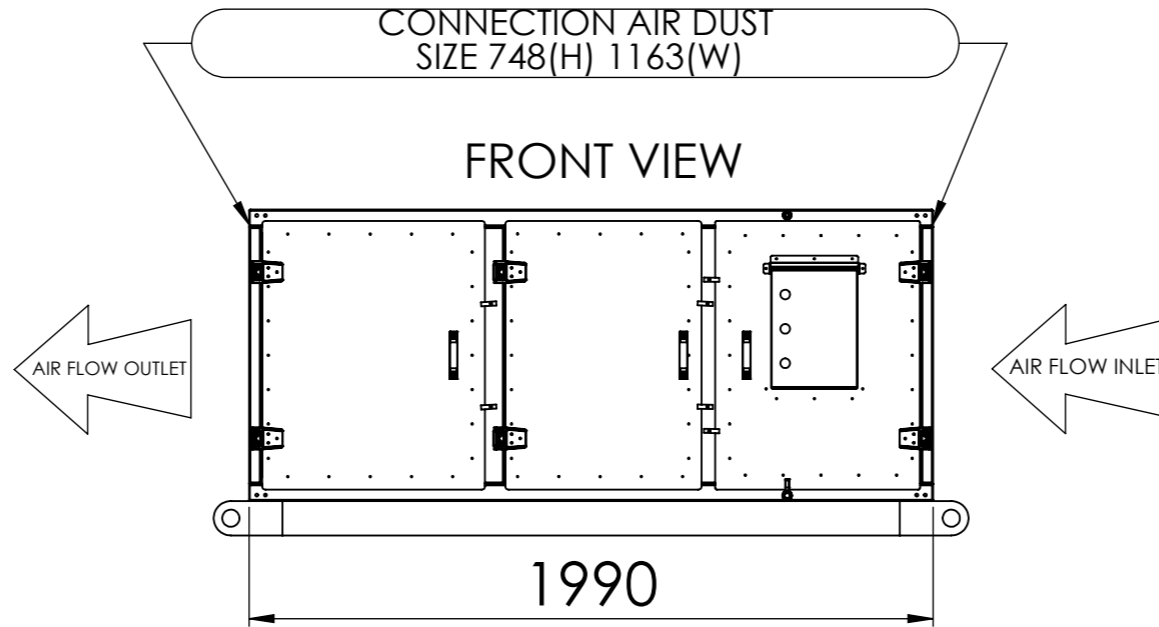
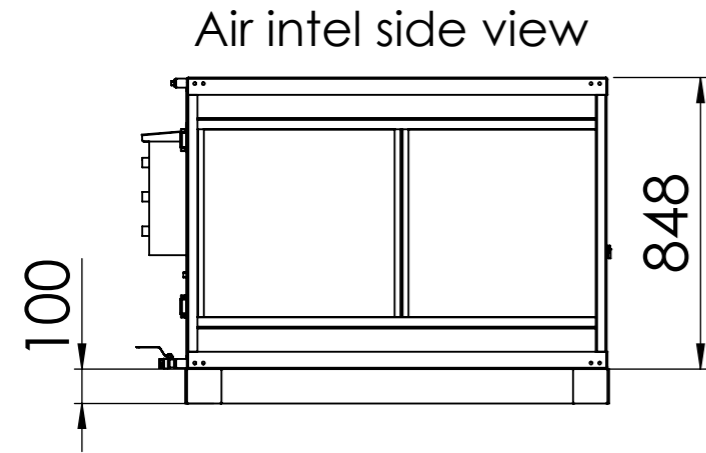


- 1. Panel Washable metal Filter [G2]
- 2. Amerglas syntetic Filter [G2]
- 3. Pleated Filer [G4]
- 4. Electrostatic precipitator collection cell
- 5. Bag Filter [F-8]
- 6. Activated Carbon Filter
- 7. Removable grease tray
- 8. EP Power supply
- 9. Base Frame(option upon request)
- 10. Weld on Lifting Lugs(option upon request)
- 11. Brass valve

ITEM No.	Filter Type	Grade	Filter size	Reted Face Velocity (At FULL capacity)	Flow capacity	New Condition Resistance (Pa)	Final Condition (Pa)	Filter QTY	WEIGHT [kg]
1	Panel Washable Metal Filter	G2	595x595x45	650 FPM 3.30 m/S	2470 CFM 4200 m³/h	5 Pa	55 Pa	2	4.8
2	Amerglas Syntetic Filter	G2	595x595x45	492 FPM 2.5 m/S	1874 CFM 3186 m³/h	75 Pa	250 Pa	2	1
3	Pleated Filter	G4	595x595x45	516 FPM 2.58 m/S	1967 CFM 3344 m³/h	69 Pa	250 Pa	2	1
4	Electrostatic collection cell	N/A	550x480x340	4.85 m/S	1823 CFM 3100 m³/h	85 Pa	105 Pa	2	26
5	Bag Filter	F-8	595x595x600	34 FPM 0.17 m/S	1705 CFM 2900 m³/h	140 Pa	250 Pa	2	3.8
6	Activated Carbon Filter	N/A	595x595x30	51 FPM 0.26 m/S	203 CFM 345 m³/h	55 Pa	155 Pa	20	132
				Initial Pressure: 429 Pa	Recommended final Pressure: 1065 Pa	Total weight: 459.37 [kg]			

Project NAME:		Product type: ABFU-120-SB-EP		Project Number:	
	NAME	DATE	UNLESS OTHERWISE SPECIFIED: DIMENSIONS ARE IN MILLIMETERS GENERAL TOLERANCES: X±.5 X.X±0.2 X.XX±0.05 ANGULAR: ±1°	Product Name: Ecology UNIT	
DRAFT	Andrey S	07/08/2023		Description: ABFU-SERIES	
DESIGNER	Andrey S	07/08/2023			
APPROVED	Luke Benet	07/08/2023			
CHECKED	Luke Benet	07/08/2023			
MATERIAL:	Galvanized steel thickness 2.0 [mm]	WEIGHT: 459.37 [kg]	FINISH: RAL-7024		
TYPE: A3	SCALE:1:10	REVISION 04	SHEET 1 OF 2		





ITEM No.	Filter Type	Grade	Filter size	Reted Face Velocity (At FULL capacity)	Flow capacity	New Condition Resistance (Pa)	Final Condition (Pa)	Filter QTY	WEIGHT [kg]
1	Panel Washable Metal Filter	G2	595x595x45	650 FPM 3.30 m/S	2470 CFM 4200 m³/h	5 Pa	55 Pa	2	4.8
2	Amerglas Syntetic Filter	G2	595x595x45	492 FPM 2.5 m/S	1874 CFM 3186 m³/h	75 Pa	250 Pa	2	1
3	Pleated Filter	G4	595x595x45	516 FPM 2.58 m/S	1967 CFM 3344 m³/h	69 Pa	250 Pa	2	1
4	Electrostatic collection cell	N/A	550x480x340	4.85 m/S	1823 CFM 3100 m³/h	85 Pa	105 Pa	2	26
5	Bag Filter	F-8	595x595x600	34 FPM 0.17 m/S	1705 CFM 2900 m³/h	140 Pa	250 Pa	2	3.8
6	Activated Carbon Filter	N/A	595x595x30	51 FPM 0.26 m/S	203 CFM 345 m³/h	55 Pa	155 Pa	20	132
Initial Pressure: 429 Pa		Recommended final Pressure: 1065 Pa		Total weight: 459.37 [kg]					

Project NAME:		Product type: ABFU-120-SB-EP		Project Number:	
	NAME	DATE	<small>UNLESS OTHERWISE SPECIFIED: DIMENSIONS ARE IN MILLIMETERS GENERAL TOLERANCES: X ±.5 X.X ±0.2 X.XX ±0.05 ANGULAR: ±1°</small>	Product Name: Ecology UNIT	
DRAFT	Andrey S	07/08/2023		Description: ABFU-SERIES	
DESIGNER	Andrey S	07/08/2023			
APPROVED	Luke Benet	07/08/2023			
CHECKED	Luke Benet	07/08/2023			
MATERIAL:	Galvanized steel thickness 2.0 [mm]	WEIGHT: 459.37 [kg]		FINISH: RAL-7024	
TYPE: A3	SCALE: 1:22	REVISION 04	SHEET 2 OF 2		

