

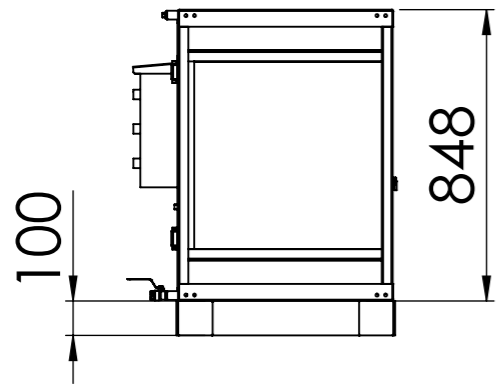
1. Panel Washable metal Filter [G2]
2. Amerglas syntetic Filter [G2]
3. Pleated Filer [G4]
4. Electrostatic precipitator collection cell
5. Bag Filter [F-8]
6. Activated Carbon Filter
7. Removable grease tray
8. EP Power supply
9. Base Frame(option upon request)
10. Weld on Lifting Lugs(option upon request)
11. Brass valve

ITEM No.	Filter Type	Grade	Filter size	Reted Face Velocity (At FULL capacity)	Flow capacity	New Condition Resistance (Pa)	Final Condition (Pa)	Filter QTY	WEIGHT [kg]
1	Panel Washable Metal Filter	G2	595x595x45	650 FPM 3.30 m/S	2470 CFM 4200 m³/h	5 Pa	55 Pa	1	2.4
2	Amerglas Syntetic Filter	G2	595x595x45	492 FPM 2.5 m/S	1874 CFM 3186 m³/h	75 Pa	250 Pa	1	0.5
3	Pleated Filter	G4	595x595x45	516 FPM 2.58 m/S	1967 CFM 3344 m³/h	69 Pa	250 Pa	1	0.5
4	Electrostatic collection cell	N/A	550x480x340	4.85 m/S	1823 CFM 3100 m³/h	85 Pa	105 Pa	1	13
5	Bag Filter	F-8	595x595x600	34 FPM 0.17 m/S	1705 CFM 2900 m³/h	140 Pa	250 Pa	1	1.9
6	Activated Carbon Filter	N/A	595x595x30	51 FPM 0.26 m/S	203 CFM 345 m³/h	55 Pa	155 Pa	10	66
				Initial Pressure: 429 Pa	Recommended final Pressure: 1065 Pa	Total weight: 278.14 [kg]			

Project NAME:		Product Type: ABFU-060-SB-EP		Project Number:	
	NAME	DATE	UNLESS OTHERWISE SPECIFIED: DIMENSIONS ARE IN MILLIMETERS GENERAL TOLERANCES: X±.5 X.X±0.2 X.XX±0.05 ANGULAR:±1°	Product Name: Ecology UNIT	
DRAFT	Andrey S	08/08/2023		Description: ABFU-SERIES	
DESIGNER	Andrey S	08/08/2023			
APPROVED	Luke Benet	08/08/2023			
CHECKED	Luke Benet	08/08/2023			
MATERIAL:	Galvanized steel thickness 2.0 [mm]	WEIGHT: 278.14 [kg]	FINISH: RAL-7024		
TYPE: A3	SCALE:1:10	REVISION 04	SHEET 1 OF 2		

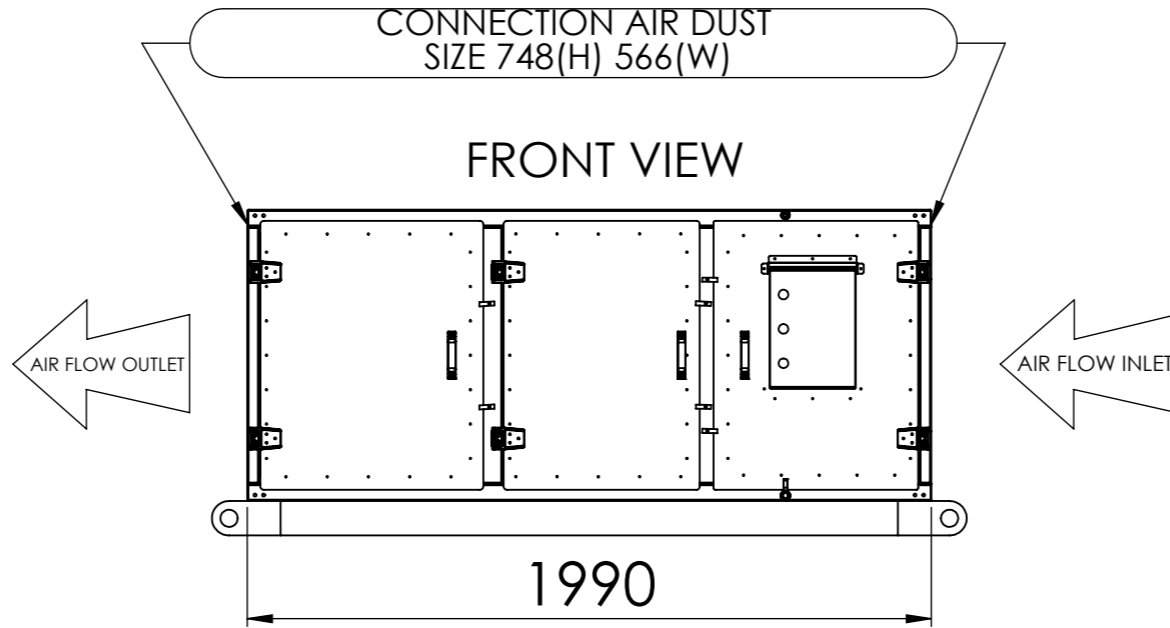


Air intel side view

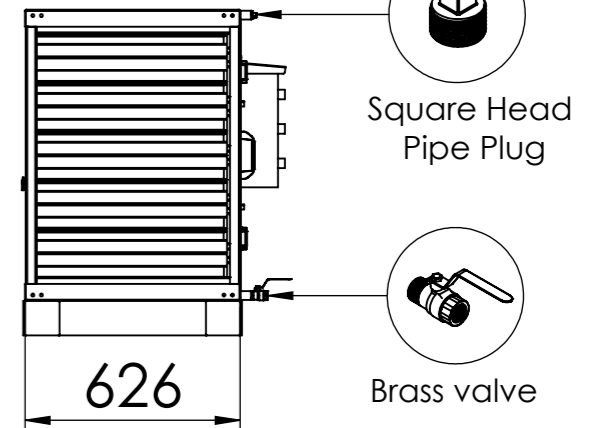


CONNECTION AIR DUST SIZE 748(H) 566(W)

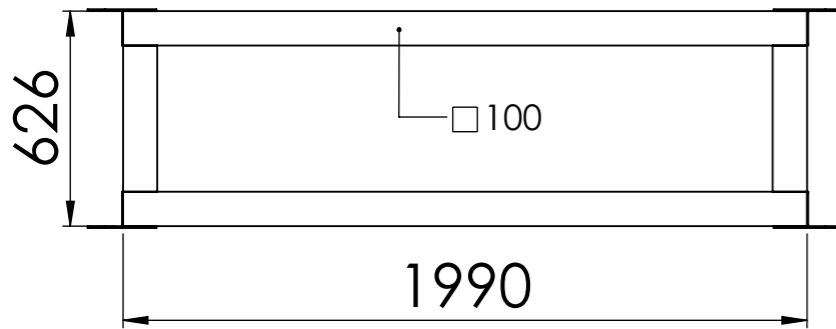
FRONT VIEW



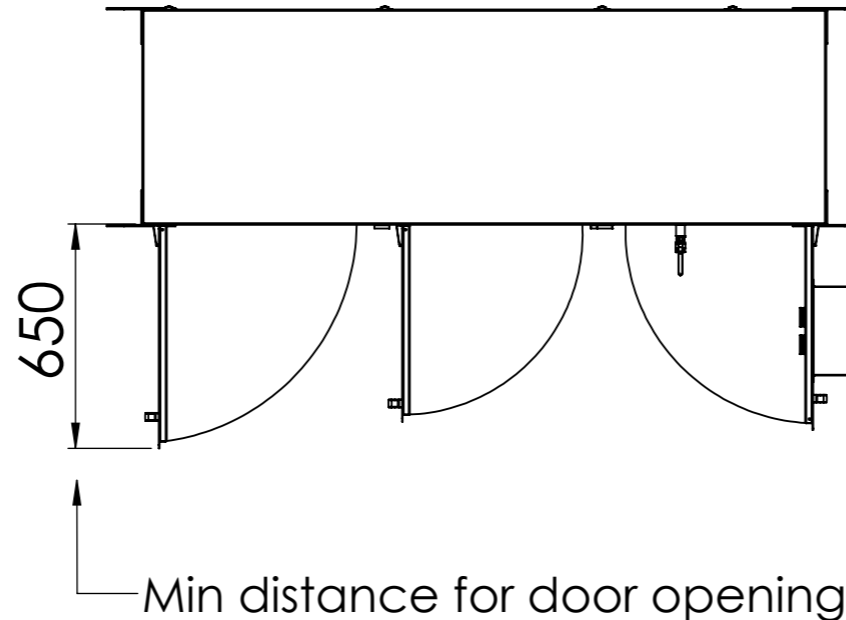
Air outlet side view



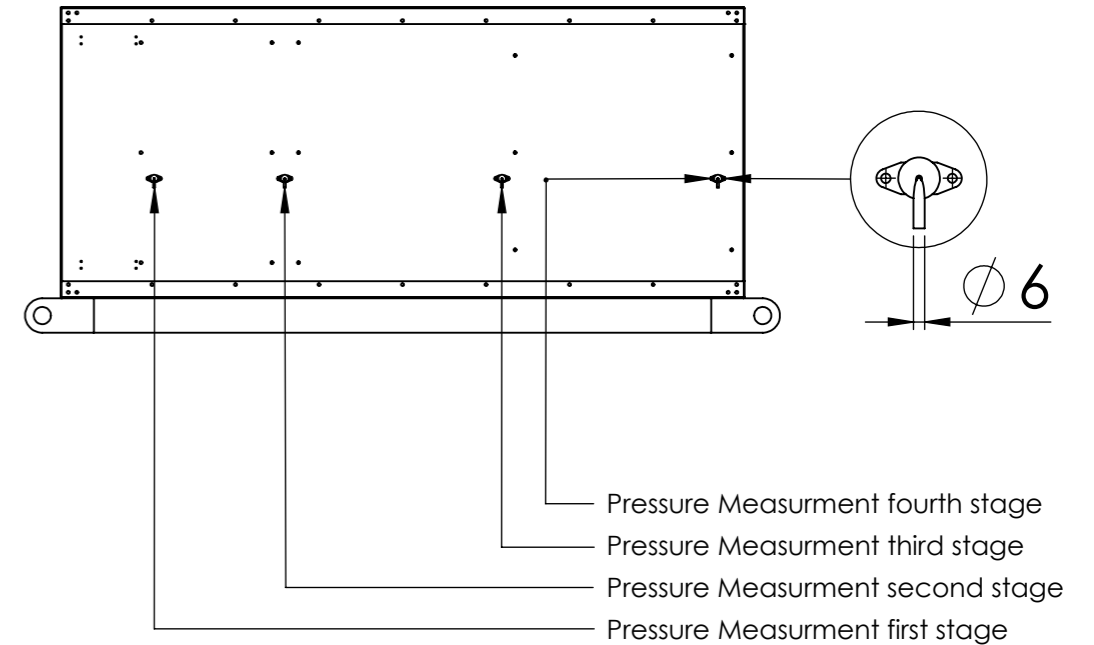
INSTALLATION FRAME



OVER VIEW



BACK VIEW



ITEM No.	Filter Type	Grade	Filter size	Reted Face Velocity (At FULL capacity)	Flow capacity	New Condition Resistance (Pa)	Final Condition (Pa)	Filter QTY	WEIGHT [kg]
1	Panel Washable Metal Filter	G2	595x595x45	650 FPM 3.30 m/S	2470 CFM 4200 m³/h	5 Pa	55 Pa	1	2.4
2	Amerglas Syntetic Filter	G2	595x595x45	492 FPM 2.5 m/S	1874 CFM 3186 m³/h	75 Pa	250 Pa	1	0.5
3	Pleated Filter	G4	595x595x45	516 FPM 2.58 m/S	1967 CFM 3344 m³/h	69 Pa	250 Pa	1	0.5
4	Electrostatic collection cell	N/A	550x480x340	4.85 m/S	1823 CFM 3100 m³/h	85 Pa	105 Pa	1	13
5	Bag Filter	F-8	595x595x600	34 FPM 0.17 m/S	1705 CFM 2900 m³/h	140 Pa	250 Pa	1	1.9
6	Activated Carbon Filter	N/A	595x595x30	51 FPM 0.26 m/S	203 CFM 345 m³/h	55 Pa	155 Pa	10	66
Initial Pressure: 429 Pa		Recommended final Pressure: 1065 Pa		Total weight: 278.14 [kg]					

Project NAME:		Product type: ABFU-060-SB-EP		Project Number:	
	NAME	DATE	<small>UNLESS OTHERWISE SPECIFIED: DIMENSIONS ARE IN MILLIMETERS GENERAL TOLERANCES: X±.5 X.X±0.2 X.XX±0.05 ANGULAR: ±1°</small>	Product Name: Ecology UNIT	
DRAFT	Andrey S	08/08/2023		Description: ABFU-SERIES	
DESIGNER	Andrey S	08/08/2023			
APPROVED	Luke Benet	08/08/2023			
CHECKED	Luke Benet	08/08/2023			
MATERIAL:	Galvanized steel thickness 2.0 [mm]	WEIGHT: 278.14 [kg]		FINISH: RAL-7024	
TYPE: A3	SCALE: 1:22	REVISION 04	SHEET 2 OF 2		

