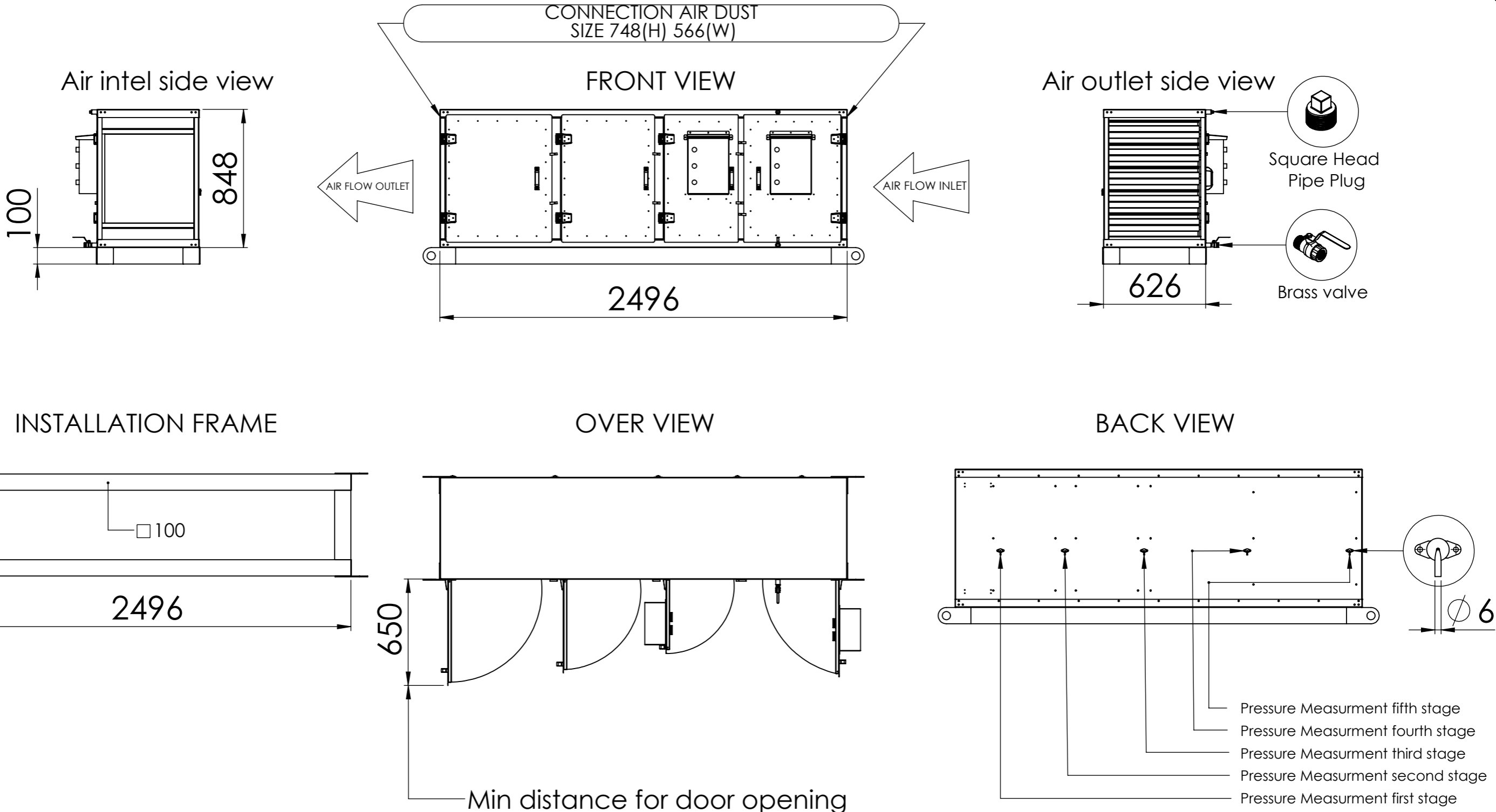


1. Panel Washable metal Filter [G2]
2. Amerglas syntetic Filter [G2]
3. Pleated Filer [G4]
4. Electrostatic precipitator collection cell (Double pass)
5. Bag Filter [F-8]
6. Activated Carbon Filter
7. Removable grease tray
8. EP Power supply
9. Base Frame(option upon request)
10. Weld on Lifting Lugs(option upon request)
11. Brass valve

| ITEM No. | Filter Type | Grade | Filter size | Reted Face Velocity (At FULL capacity) | Flow capacity | New Condition Resistance (Pa) | Final Condition (Pa) | Filter QTY | WEIGHT [kg] |
|----------|-------------------------------|-------|-------------|--|-------------------------------------|-------------------------------|----------------------|------------|-------------|
| 1 | Panel Washable Metal Filter | G2 | 595x595x45 | 650 FPM 3.30 m/S | 2470 CFM 4200 m³/h | 5 Pa | 55 Pa | 1 | 2.4 |
| 2 | Amerglas Syntetic Filter | G2 | 595x595x45 | 492 FPM 2.5 m/S | 1874 CFM 3186 m³/h | 75 Pa | 250 Pa | 1 | 0.5 |
| 3 | Pleated Filter | G4 | 595x595x45 | 516 FPM 2.58 m/S | 1967 CFM 3344 m³/h | 69 Pa | 250 Pa | 1 | 0.5 |
| 4 | Electrostatic collection cell | N/A | 550x480x340 | 4.85 m/S | 1823 CFM 3100 m³/h | 85 Pa | 105 Pa | 2 | 26 |
| 5 | Bag Filter | F-8 | 595x595x600 | 34 FPM 0.17 m/S | 1705 CFM 2900 m³/h | 140 Pa | 250 Pa | 1 | 1.9 |
| 6 | Activated Carbon Filter | N/A | 595x595x30 | 51 FPM 0.26 m/S | 203 CFM 345 m³/h | 55 Pa | 155 Pa | 10 | 66 |
| | | | | Initial Pressure: 429 Pa | Recommended final Pressure: 1065 Pa | Total weight: 338 [kg] | | | |

| | | | | | |
|----------------------------|-------------|----------------------------------|--|-------------------------------|--|
| Project NAME: | | Product Type: ABFU-060-SB-2EP | | Project Number: | |
| | NAME | DATE | UNLESS OTHERWISE SPECIFIED: DIMENSIONS ARE IN MILLIMETERS GENERAL TOLERANCES: X ±.5 X.X ±0.2 X.XX ±0.05 ANGULAR: ±1° | Product Name: Ecology UNIT | |
| DRAFT | Andrey S | 18/12/2023 | | Description: ABFU-SERIES | |
| DESIGNER | Andrey S | 18/12/2023 | | | |
| APPROVED | Luke Benet | 18/12/2023 | | | |
| CHECKED | Luke Benet | 18/12/2023 | | | |
| MATERIAL: Galvanized steel | | WEIGHT: 241 [kg] | FINISH: RAL-7024 | | |
| TYPE: A3 | SCALE: 1:12 | REVISION 04 | SHEET 1 OF 2 | | |





| ITEM No. | Filter Type | Grade | Filter size | Reted Face Velocity (At FULL capacity) | Flow capacity | New Condition Resistance (Pa) | Final Condition (Pa) | Filter QTY | WEIGHT [kg] |
|--------------------------|-------------------------------|-------------------------------------|-------------|--|-----------------------|-------------------------------|----------------------|------------|-------------|
| 1 | Panel Washable Metal Filter | G2 | 595x595x45 | 650 FPM 3.30 m/S | 2470 CFM 4200 m³/h | 5 Pa | 55 Pa | 1 | 2.4 |
| 2 | Amerglas Syntetic Filter | G2 | 595x595x45 | 492 FPM 2.5 m/S | 1874 CFM 3186 m³/h | 75 Pa | 250 Pa | 1 | 0.5 |
| 3 | Pleated Filter | G4 | 595x595x45 | 516 FPM 2.58 m/S | 1967 CFM 3344 m³/h | 69 Pa | 250 Pa | 1 | 0.5 |
| 4 | Electrostatic collection cell | N/A | 550x480x340 | 4.85 m/S | 1823 CFM 3100 m³/h | 85 Pa | 105 Pa | 2 | 26 |
| 5 | Bag Filter | F-8 | 595x595x600 | 34 FPM 0.17 m/S | 1705 CFM 2900 m³/h | 140 Pa | 250 Pa | 1 | 1.9 |
| 6 | Activated Carbon Filter | N/A | 595x595x30 | 51 FPM 0.26 m/S | 203 CFM 345 m³/h | 55 Pa | 155 Pa | 10 | 66 |
| Initial Pressure: 429 Pa | | Recommended final Pressure: 1065 Pa | | Total weight: 338 [kg] | | | | | |

| | | | | | |
|---------------|------------------|-------------------------------|----------|--|----------|
| Project NAME: | | Product Type: ABFU-060-SB-2EP | | Project Number: | |
| NAME | | DATE | | Product Name: Ecology UNIT | |
| DRAFT | Andrey S | 18/12/2023 | | <small>UNLESS OTHERWISE SPECIFIED: DIMENSIONS ARE IN MILLIMETERS GENERAL TOLERANCES: X±.5 X.X±0.2 X.XX±0.05 ANGULAR: ±1°</small> | |
| DESIGNER | Andrey S | 18/12/2023 | | | |
| APPROVED | Luke Benet | 18/12/2023 | | | |
| CHECKED | Luke Benet | 18/12/2023 | | | |
| MATERIAL: | Galvanized steel | WEIGHT: | 241 [kg] | FINISH: | RAL-7024 |
| TYPE: A3 | SCALE: 1:25 | REVISION | 04 | SHEET 2 OF 2 | |

