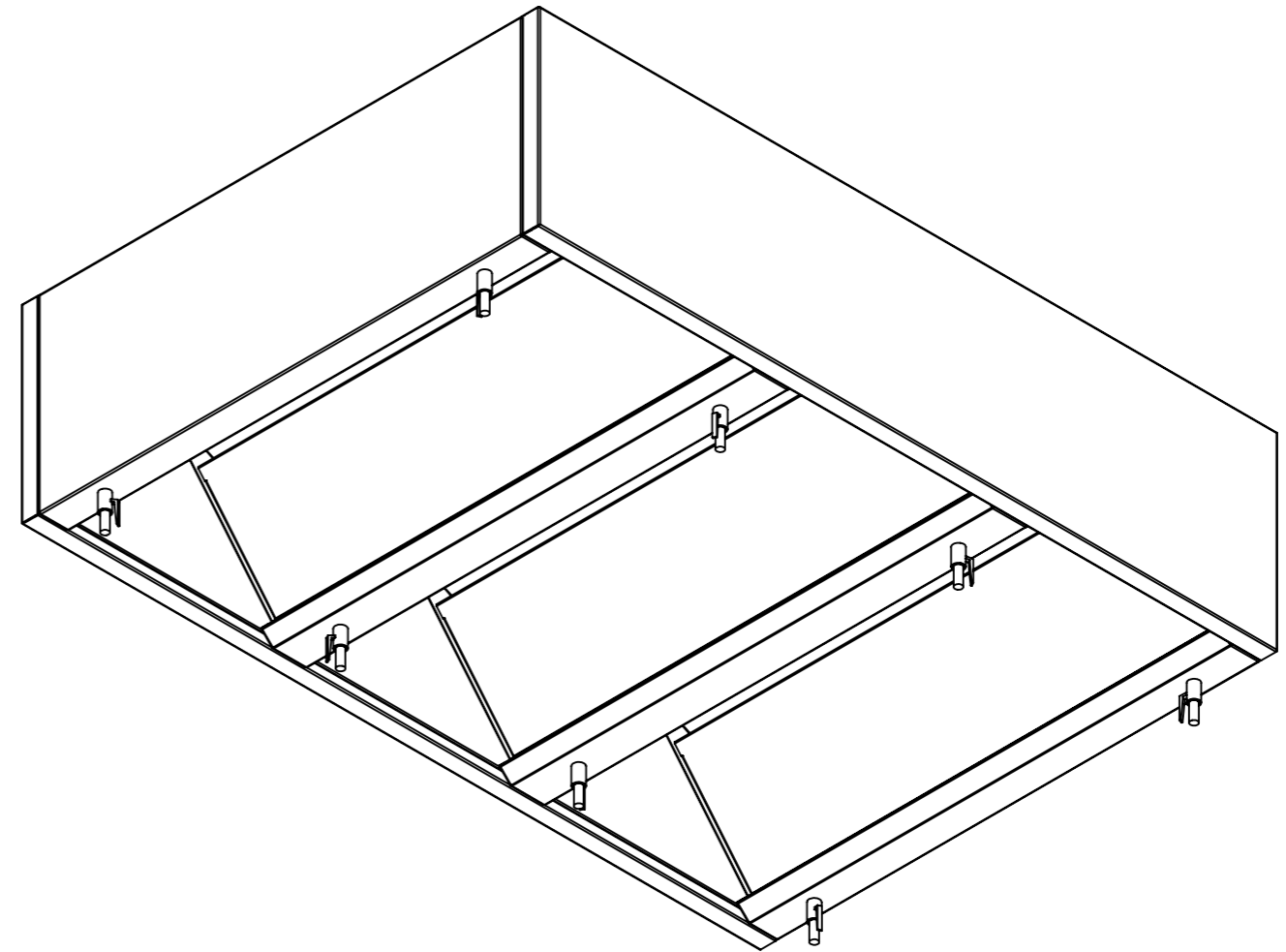
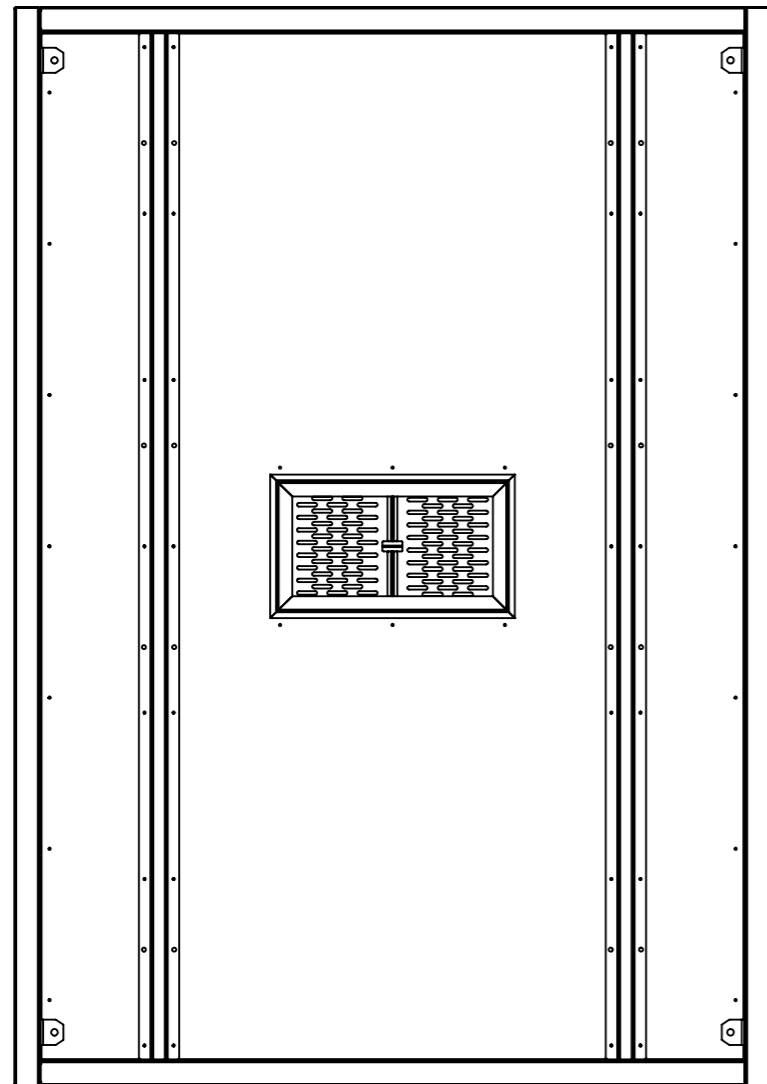


SECTION G-G



Hood Type: ABCC-XXXX-Q1

Designed: Extract canopy designed for extraction of dishwasher exhaust and steam.

Assembly: Standalone hood.